

1 987 432 058

Ford Maverick
Nissan Terrano II
Nissan Primera

* 02.93 →

* 02.93 →

* 02.93 →

D Innenraumfilter
Montageanleitung

NL Interieurfilter
Montagehandleiding

GB Cabin filter
Installation instructions

E Filtroventilacion para
interior
Instrucciones de montaje

F Filtre d'habitacle
Notice de montage

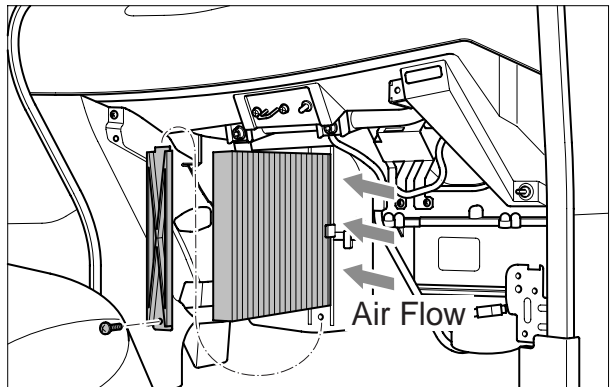
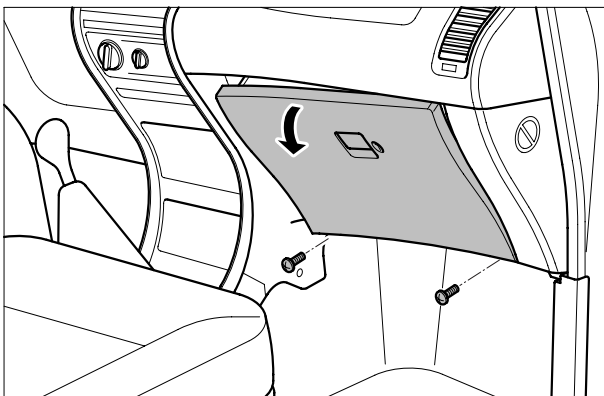
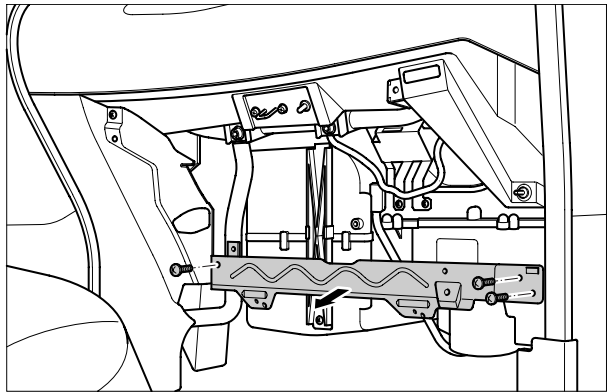
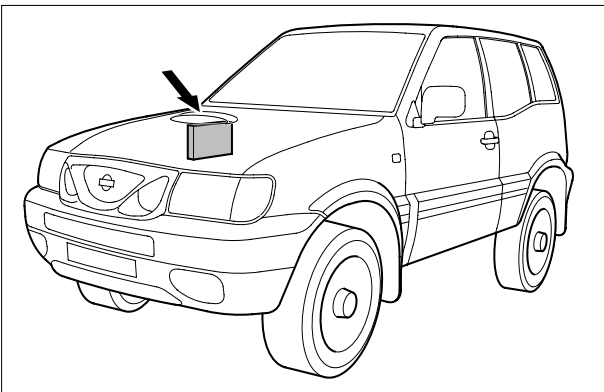
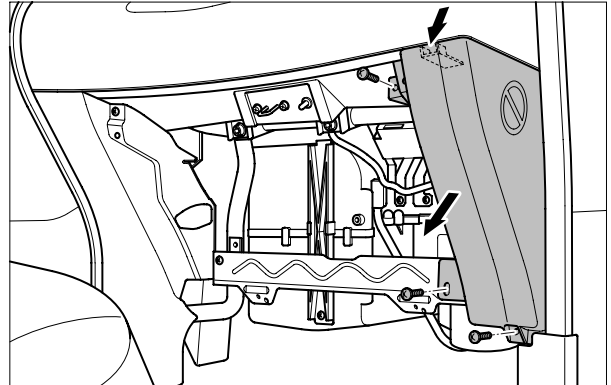
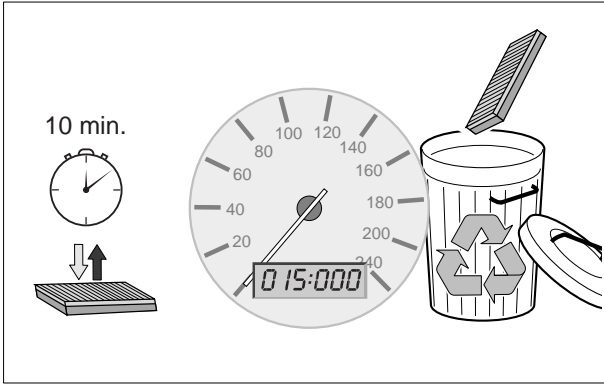
P Filtro de purificação
do habitáculo
Instruções de montagem

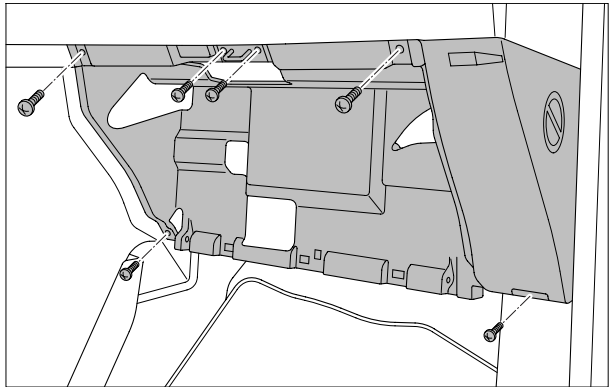
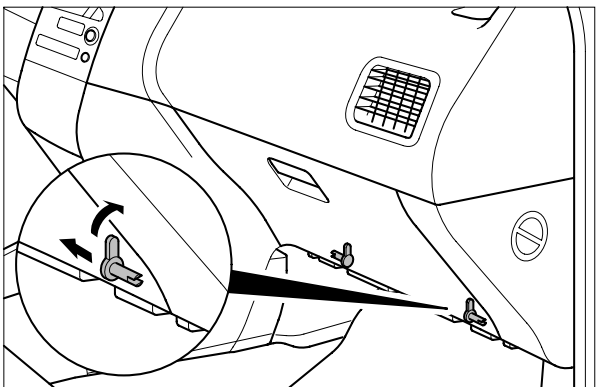
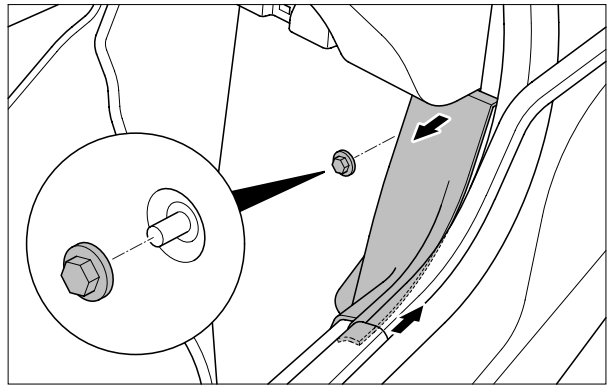
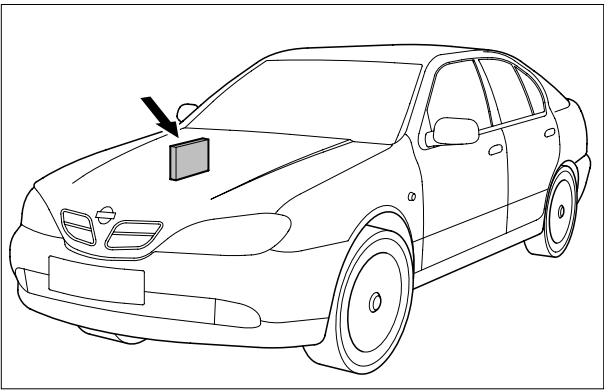
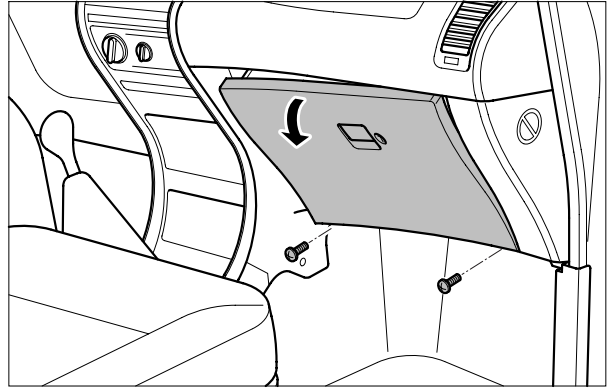
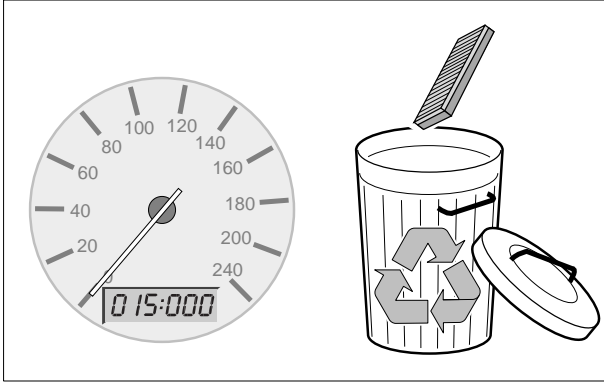
I Filtro abitacolo
Istruzioni di montaggio

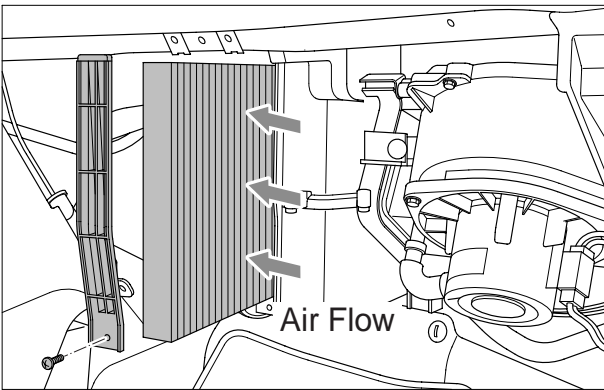
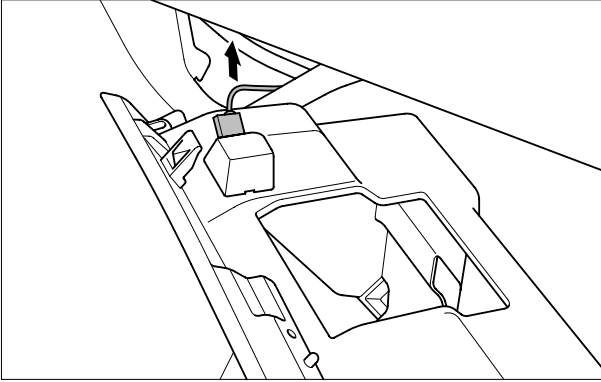
S Kupéfilter
Installationsanvisning

BOSCH









Print.Nr. 1 987 431 E95 (03.07)



Service

+49 (0) 180-500 4745

gebührenpflichtig/subject to charges/payant



Robert Bosch GmbH
Postfach 41 09 60, D-76225 Karlsruhe
www.bosch-automotive.com



Gedruckt auf Recycling-Papier Printed in Germany
Printed on recycled paper Imprimé en Allemagne