

1 987 432 075

Nissan
Almera
Primera

01.01 →

12.01 →

D Innenraumfilter
Montageanleitung

NL Interieurfilter
Montagehandleiding

GB Cabin filter
Installation instructions

E Filtro ventilacion
para interior
Instrucciones de montaje

F Filtre d'habitacle
Notice de montage

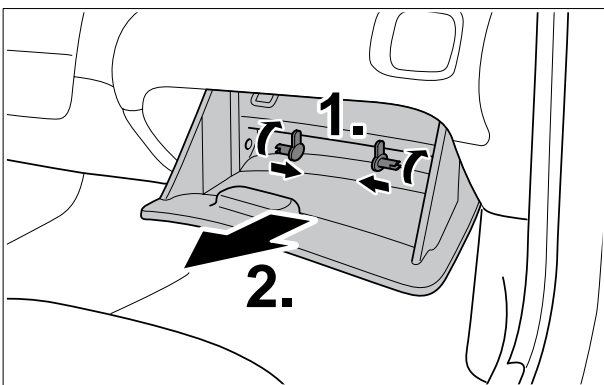
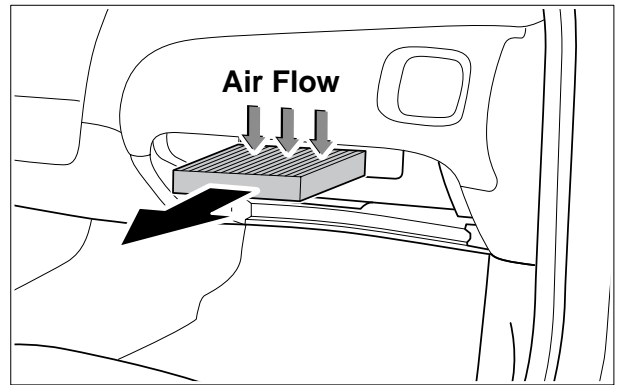
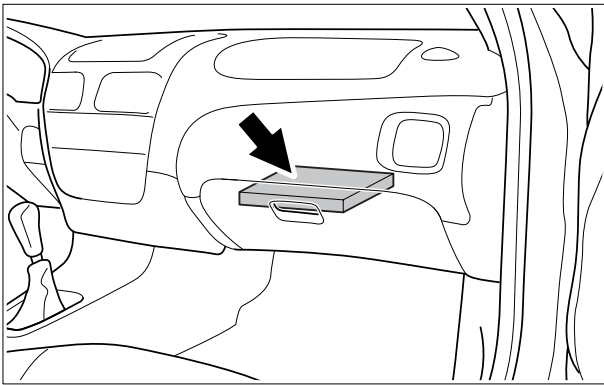
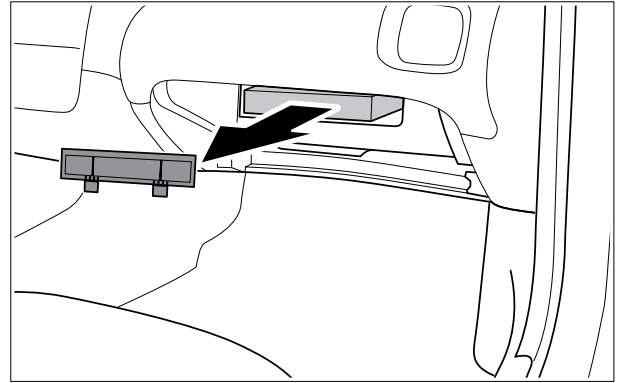
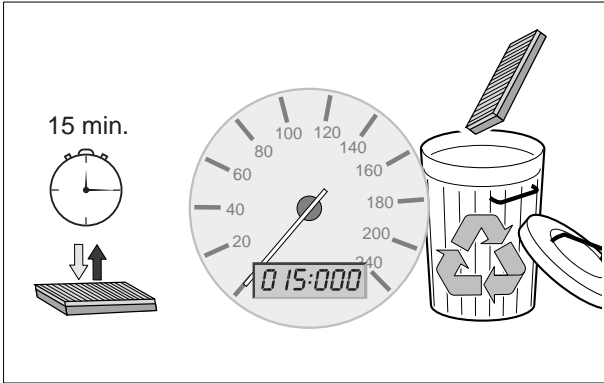
P Filtro de purificação
do habitáculo
Instruções de montagem

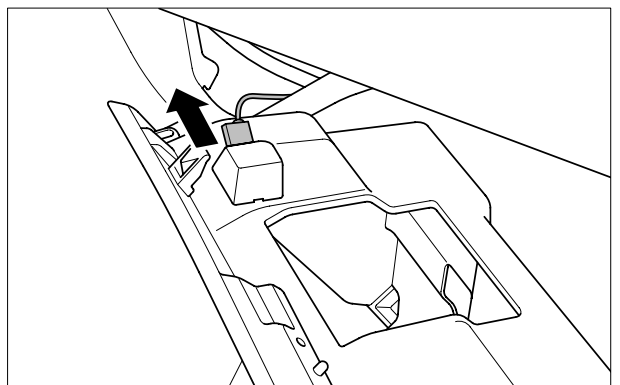
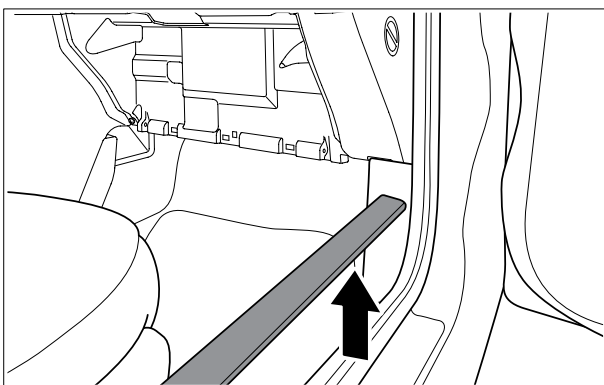
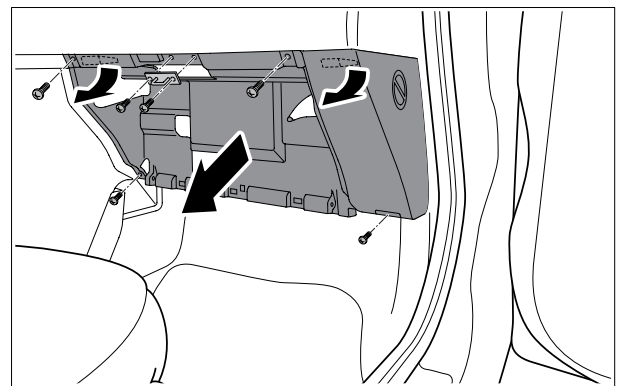
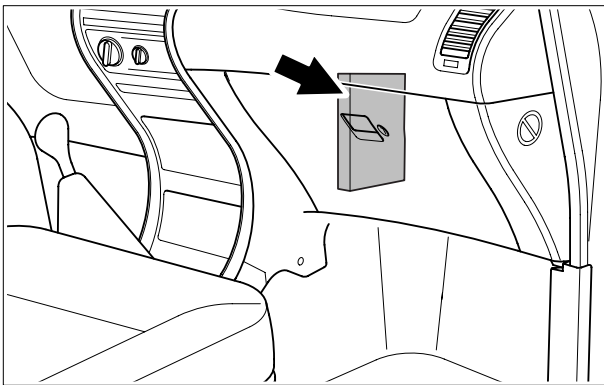
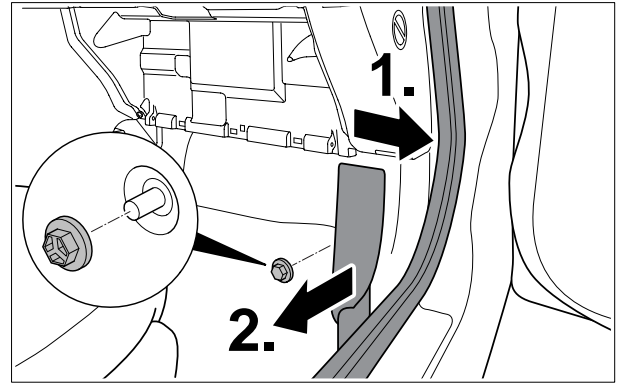
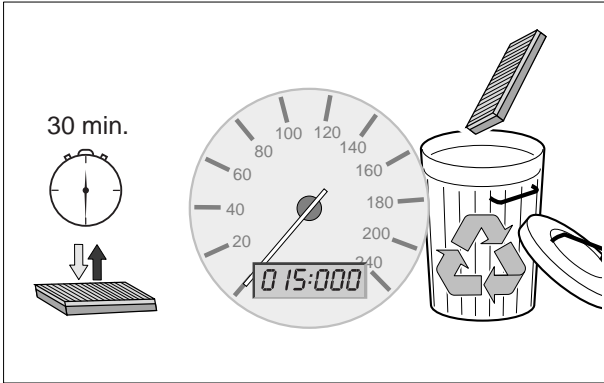
I Filtro abitacolo
Istruzioni di montaggio

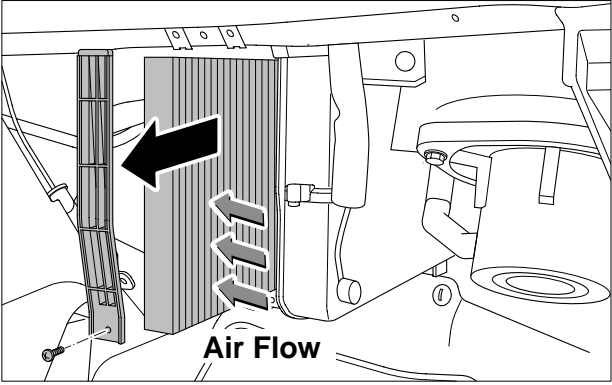
S Kupéfilter
Installationsanvisning

BOSCH











Service

+49 (0) 180-500 4745

gebührenpflichtig/subject to charges/payant



Robert Bosch GmbH
Postfach 41 09 60, D-76225 Karlsruhe
www.bosch-automotive.com



Gedruckt auf Recycling-Papier Printed in Germany
Printed on recycled paper Imprimé en Allemagne